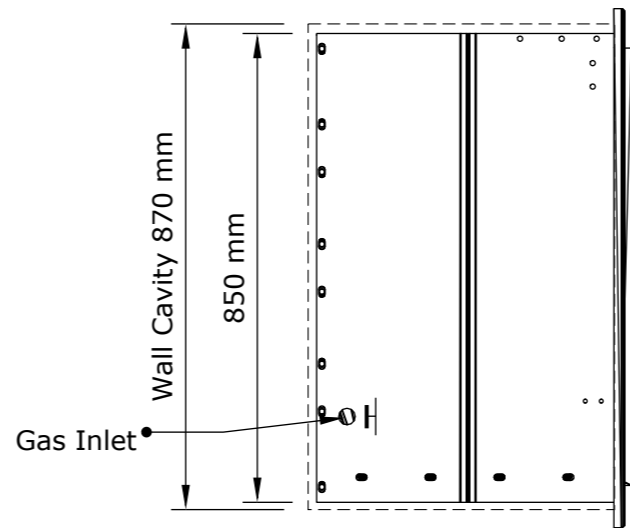


Front View

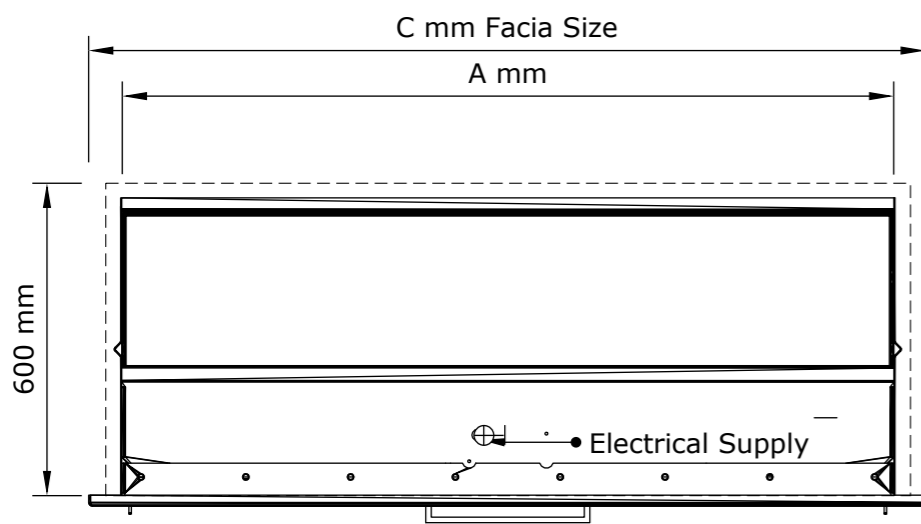


Side View

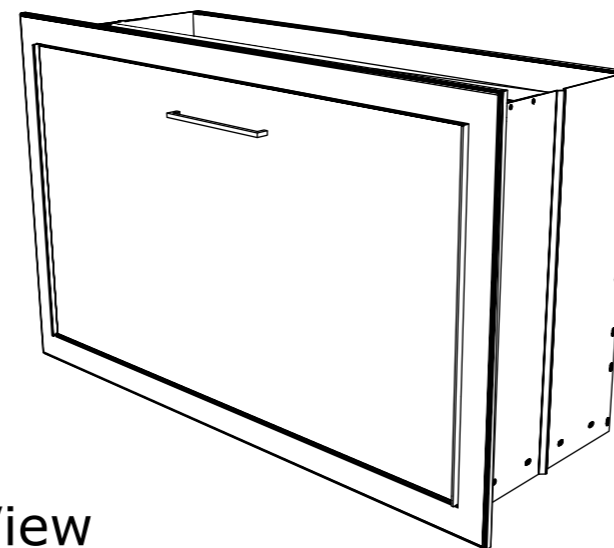
A	B	C
830	890	920
1030	1100	1120
1230	1300	1320
1430	1500	1520
1630	1700	1720
1880	1920	1970
2080	2120	2170

⊕ | Electrical supply by specialist to top of unit for light fitting

H | Gas supply line by specialist to left hand side or back left hand side of unit



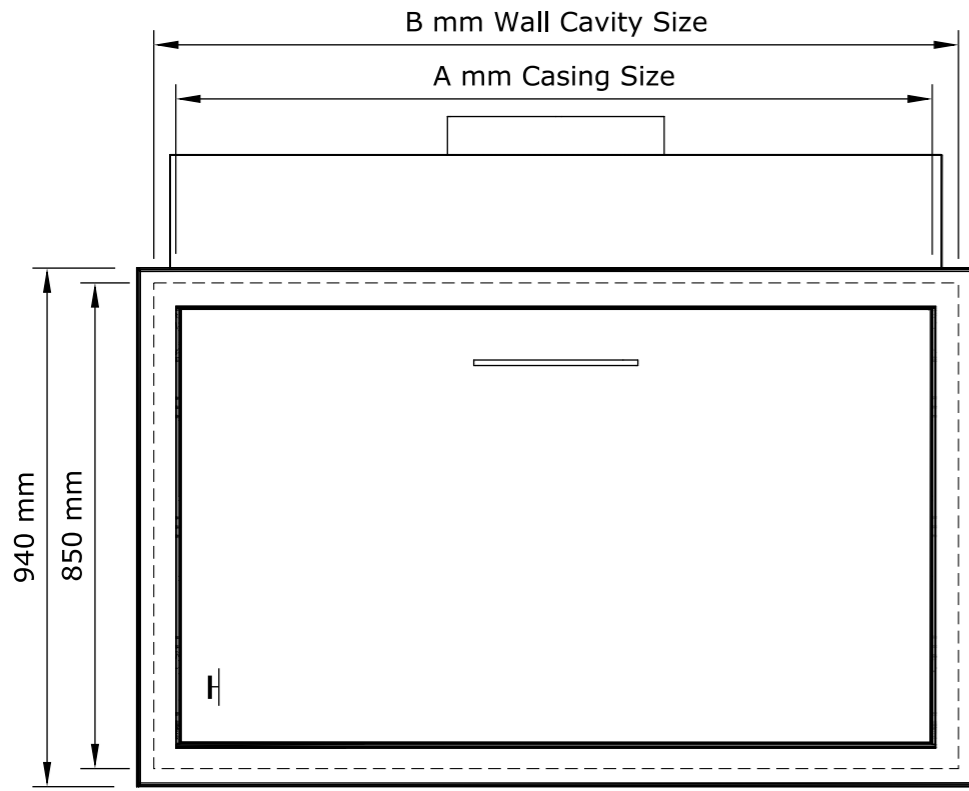
Top View



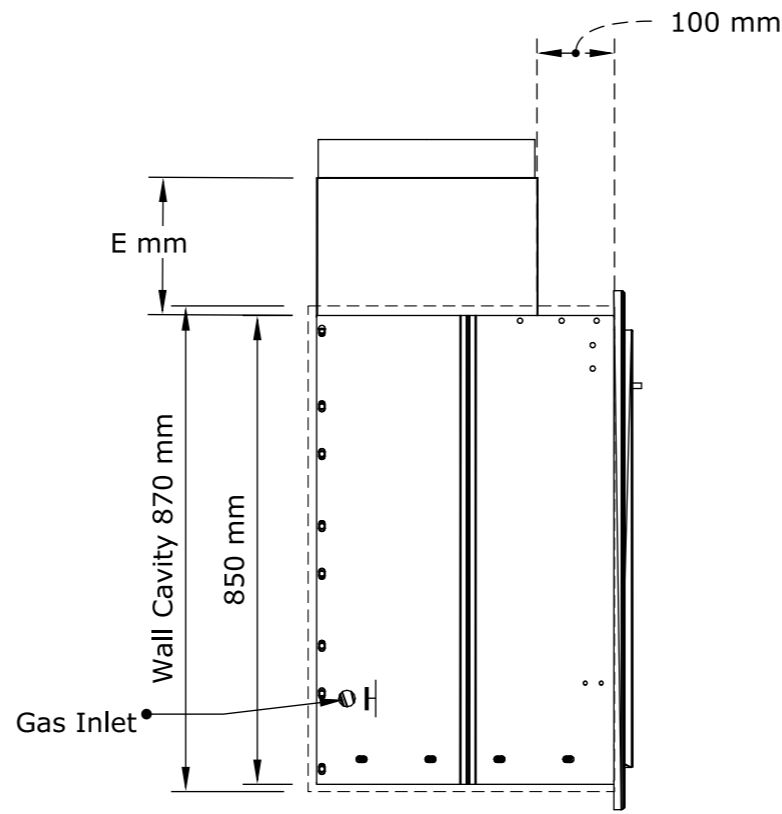
3D View

Insert Braai

© This drawing is copyright and remains the property of SAfire. It may not be retained, copied or used without written consent.



Front View

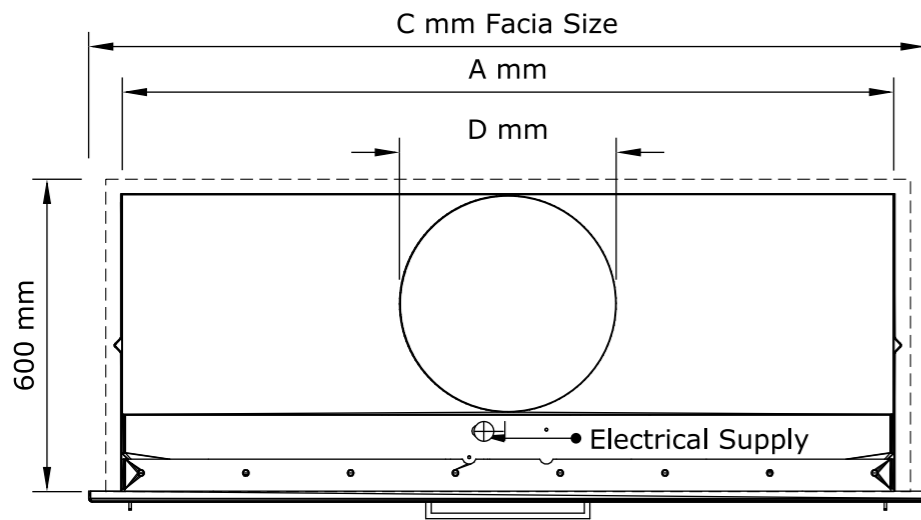


Side View

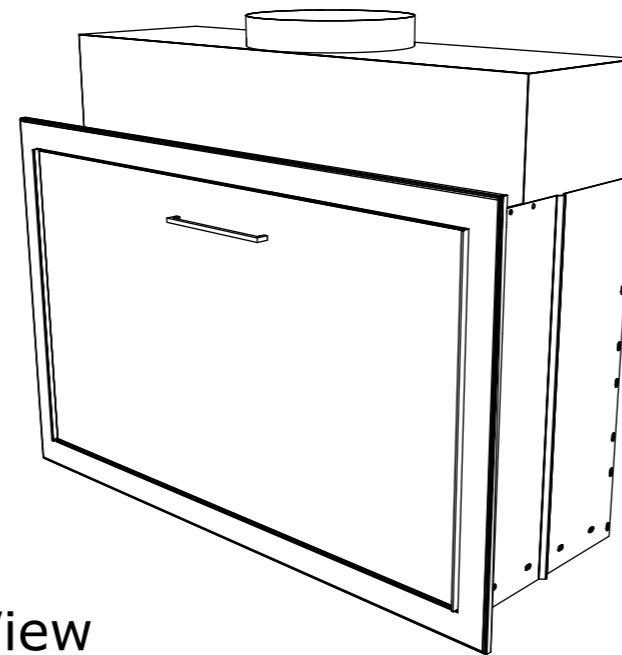
A	B	C	D	E
830	890	920	350 Ø	250
1030	1100	1120	350 Ø	250
1230	1300	1320	350 Ø	250
1430	1500	1520	400 Ø	250
1630	1700	1720	450 Ø	400
1880	1920	1970	350x650	400
2080	2120	2170	350x650	400

⊕ | Electrical supply by specialist to top of unit for light fitting

H | Gas supply line by specialist to left hand side or back left hand side of unit



Top View



3D View

Insert Braai With Box Canopy

© This drawing is copyright and remains the property of SAfire. It may not be retained, copied or used without written consent.